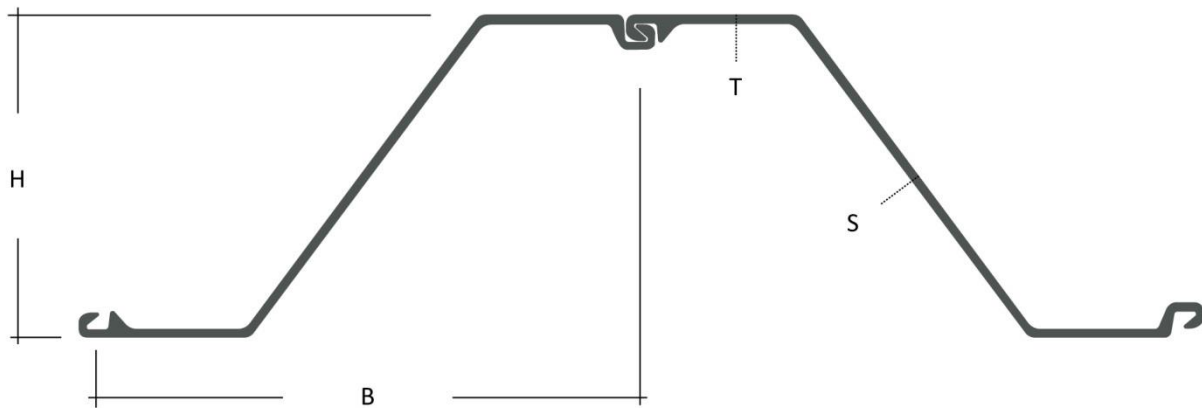




Suite 10a  
 Peartree Business Centre,  
 1 Cobham Road  
 Ferndown Industrial Estate  
 Wimborne, Dorset  
 BH21 7PT

T +44(0)1202 894 000  
 E [sales@maxxpiling.com](mailto:sales@maxxpiling.com)  
 W [www.maxxpiling.com](http://www.maxxpiling.com)

## Product Sheet EZ 28-700



Single Pile				Per m of wall				
Width	Height	Thickness		Weight	Weight	Cross Sectional Area	Moment of Inertia	Section Modulus
SB	H	T	S	G	M	A	I <sub>y</sub>	W <sub>y</sub>
mm	mm	mm	mm	kg/m	kg/m <sup>2</sup>	cm <sup>2</sup> /m	cm <sup>4</sup> /m	cm <sup>3</sup> /m
<b>700</b>	<b>461</b>	<b>14.0</b>	<b>11.0</b>	<b>103.9</b>	<b>148.4</b>	<b>189.1</b>	<b>63,750</b>	<b>2,765</b>