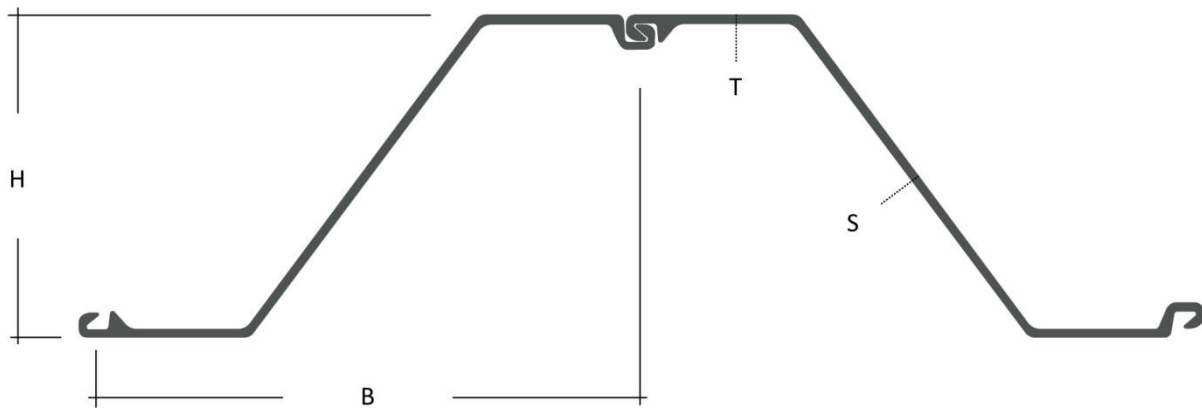


Product Sheet EZ 25-700



| Single Pile | | | | Per m of wall | | | | |
|-------------|--------------|-------------|------------|---------------|-------------------|----------------------|--------------------|--------------------|
| Width | Height | Thickness | | Weight | Weight | Cross Sectional Area | Moment of Inertia | Section Modulus |
| SB | H | T | S | G | M | A | I _y | W _y |
| mm | mm | mm | mm | kg/m | kg/m ² | cm ² /m | cm ⁴ /m | cm ³ /m |
| 700 | 459.5 | 12.5 | 9.5 | 93.1 | 133.0 | | | 2517 |