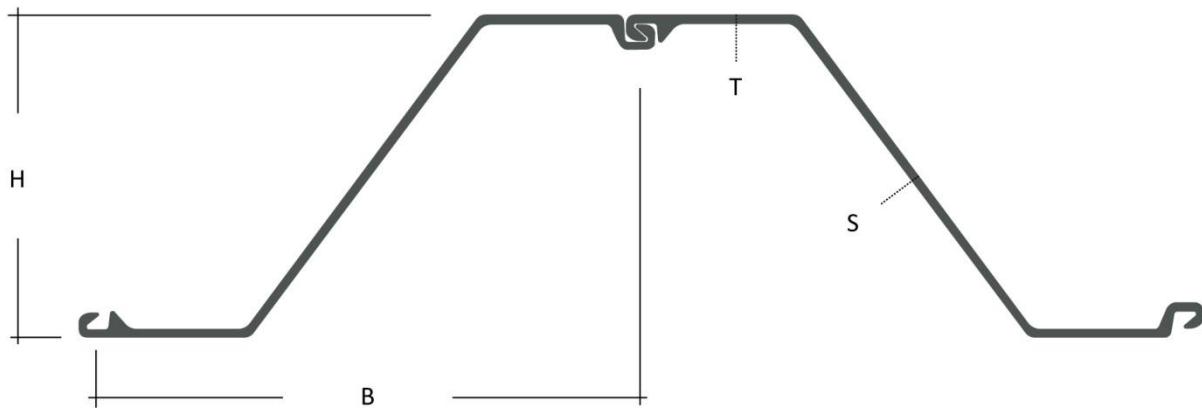


Product Sheet ZZ44-700



Single Pile				Per m of wall				
Width	Height	Thickness		Weight	Weight	Cross Sectional Area	Moment of Inertia	Section Modulus
SB	H	T	S	G	M	A	I _y	W _y
mm	mm	mm	mm	kg/m	kg/m ²	cm ² /m	cm ⁴ /m	cm ³ /m
700	500.2	19.1	15	215.3	150.7	2743	110942	4436