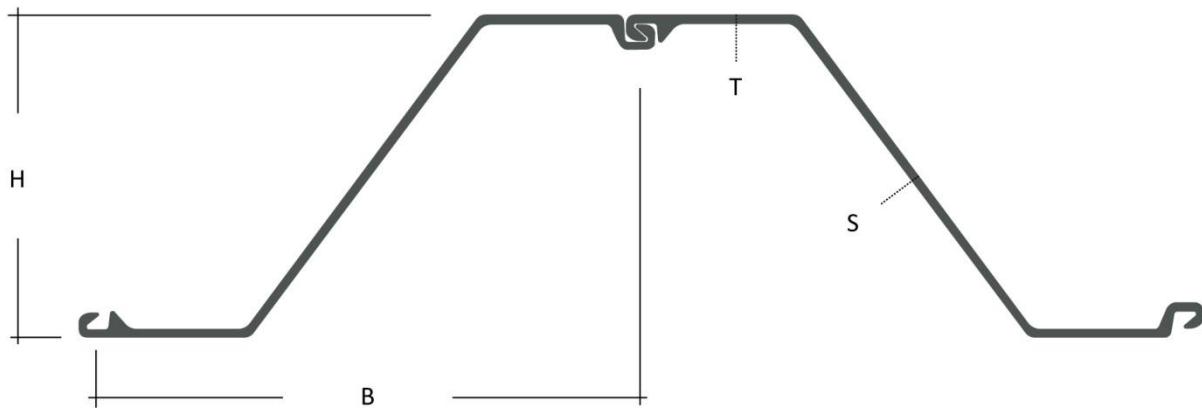


## Product Sheet ZZ42-700



Single Pile				Per m of wall				
Width	Height	Thickness		Weight	Weight	Cross Sectional Area	Moment of Inertia	Section Modulus
SB	H	T	S	G	M	A	I <sub>y</sub>	W <sub>y</sub>
mm	mm	mm	mm	kg/m	kg/m <sup>2</sup>	cm <sup>2</sup> /m	cm <sup>4</sup> /m	cm <sup>3</sup> /m
<b>700</b>	<b>499.2</b>	<b>18.1</b>	<b>14</b>	<b>204.2</b>	<b>143</b>	<b>2602</b>	<b>105543</b>	<b>4228</b>