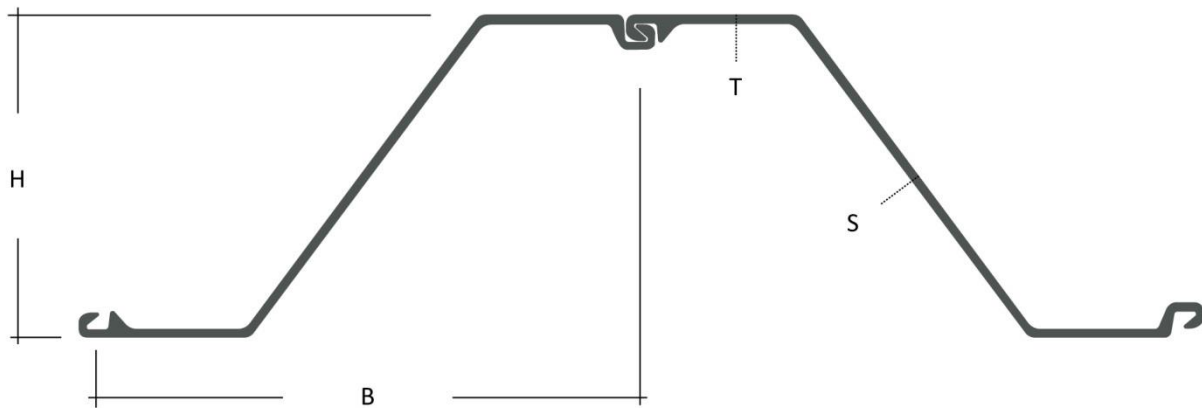


## Product Sheet ZZ 12-770



Single Pile				Per m of wall				
Width	Height	Thickness		Weight	Weight	Cross Sectional Area	Moment of Inertia	Section Modulus
SB	H	T	S	G	M	A	I <sub>y</sub>	W <sub>y</sub>
mm	mm	mm	mm	kg/m	kg/m <sup>2</sup>	cm <sup>2</sup> /m	cm <sup>4</sup> /m	cm <sup>3</sup> /m
<b>770</b>	<b>343.5</b>	<b>8.6</b>	<b>8.5</b>	<b>94.5</b>	<b>72.8</b>	<b>9299</b>	<b>21496</b>	<b>1252</b>