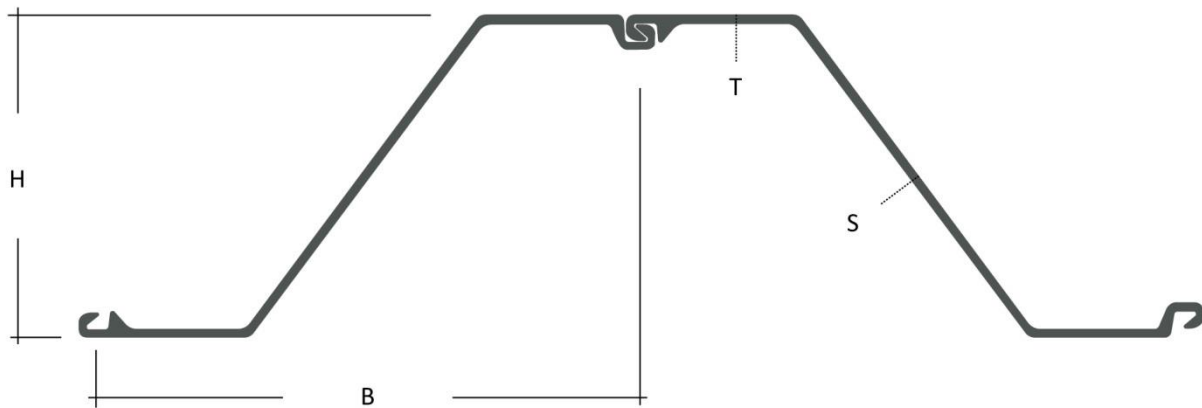




Suite 10a
 Peartree Business Centre,
 1 Cobham Road
 Ferndown Industrial Estate
 Wimborne, Dorset
 BH21 7PT
 T +44(0)1202 894 000
 E sales@maxxpiling.com
 W www.maxxpiling.com

Product Sheet EZ 26-700



Single Pile				Per m of wall				
Width	Height	Thickness		Weight	Weight	Cross Sectional Area	Moment of Inertia	Section Modulus
SB	H	T	S	G	M	A	I _y	W _y
mm	mm	mm	mm	kg/m	kg/m ²	cm ² /m	cm ⁴ /m	cm ³ /m
700	460	13.0	10.0	96.7	138.1	176.0	59,810	2,600