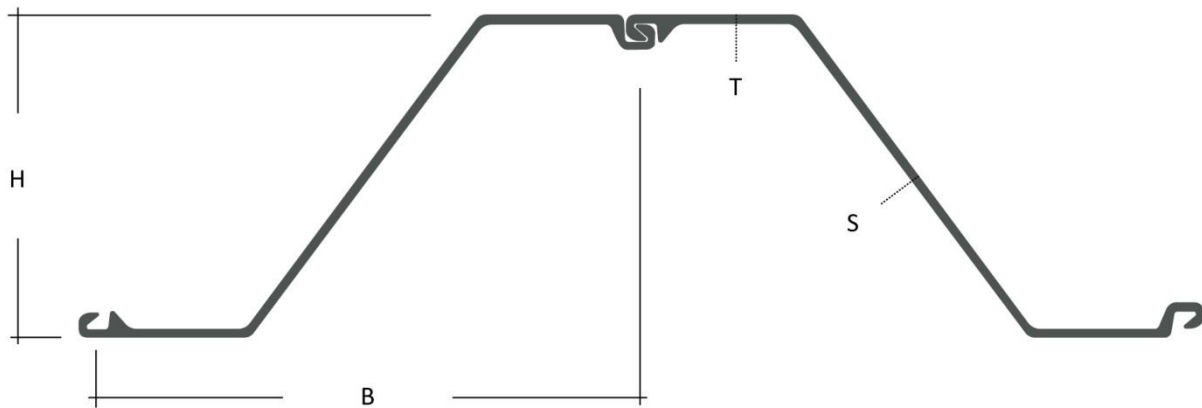


Product Sheet EZ 24-700



Single Pile				Per m of wall				
Width	Height	Thickness		Weight	Weight	Cross Sectional Area	Moment of Inertia	Section Modulus
SB	H	T	S	G	M	A	I _y	W _y
mm	mm	mm	mm	kg/m	kg/m ²	cm ² /m	cm ⁴ /m	cm ³ /m
700	459	12.0	9.0	89.5	127.9	162.9	55,870	2,435